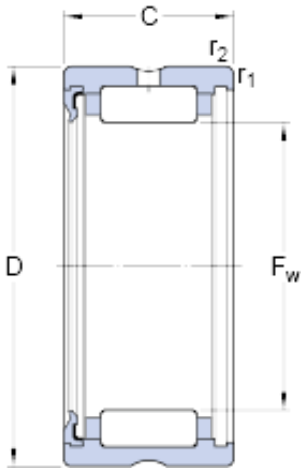




# BEARING DRIVESHAFT, INC.



RNA 4907 RS Bearing 2D drawings and 3D CAD models

## SKF RNA 4907 RS cylindrical roller bearings

Bearing No. RNA 4907 RS

Size	55x42x20 mm
Bore Diameter	55 mm
Outer Diameter	42 mm
Width	20 mm
$F_w$	42 mm
D	55 mm
C	20 mm
$r_{1,2}$ - min.	0.6 mm
$D_a$ - max.	51 mm
$r_a$ - max.	0.6 mm
Basic dynamic load rating - C	27 kN
Basic static load rating - $C_0$	43 kN
Fatigue load limit - $P_u$	5.3 kN
Limiting speed	4800 r/min
$F_w$	42 mm
$r_{1,2}$ min.	0.6 mm
$D_a$ max.	51 mm
$r_a$ max.	0.6 mm
Basic dynamic load rating C	27 kN
Basic static load rating $C_0$	43 kN
Fatigue load limit $P_u$	5.3 kN
Mass bearing	0.11 kg