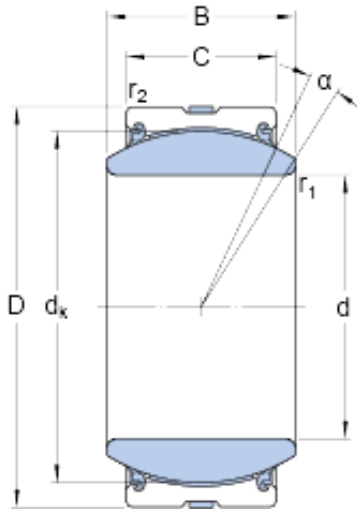




BEARING DRIVESHAFT, INC.



GE 70 TXG3A-2LS Bearing 2D drawings and 3D CAD models

70 mm x 105 mm x 49 mm SKF GE 70 TXG3A-2LS plain bearings

Bearing No. GE 70 TXG3A-2LS

Size	105x70x49 mm
Bore Diameter	105 mm
Outer Diameter	70 mm
Width	49 mm
d	70 mm
D	105 mm
B	49 mm
C	40 mm
	6 °
d _k	92 mm
r ₁ - min.	1 mm
r ₂ - min.	1 mm
d _a - min.	76.5 mm
d _a - max.	77.9 mm
D _a - min.	92 mm
D _a - max.	99 mm
r _a - max.	1 mm
r _b - max.	1 mm
Basic dynamic load rating - C	880 kN
Basic static load rating - C ₀	1460 kN
Specific factor dynamic load - K	300 N/mm ²
Specific factor static load - K ₀	500 N/mm ²
Category	Spherical Plain Bearings -



BEARING DRIVESHAFT, INC.

	Radial
Inventory	0.0
Manufacturer Name	SKF
Minimum Buy Quantity	N/A
Weight / Kilogram	1.55
EAN	7316572096994
Product Group	B04264
Self Aligning	Yes
Rolling Element	Spherical Plain
Material - Outer Member	Stainless Steel
Material - Ball	Stainless Steel
Material - Liner	Teflon
Relubricatable	No
Enclosure	2 Seals
Other Features	2 Piece Corrosion Resistance Axially Split Outer Ring Self Lubricating Triple Lip Heavy Duty Seals
Long Description	70MM Bore; 40MM Housing Width; 105MM Outside Diameter; Spherical Plain; Stainless Steel Outer Member; Stainless Steel Ball; Teflon Liner; 49MM Overall Width; Not Relubricatable
Inch - Metric	Metric
Category	Plain Bearings Spherical Radial
UNSPSC	31171515
Harmonized Tariff Code	8483.30.80.70
Noun	Bearing
Keyword 3	Spherical
Keyword String	Plain Spherical Radial
Manufacturer URL	http://www.skf.com
Manufacturer Item Number	GE 70 TXG3A-2LS



BEARING DRIVESHAFT, INC.

Weight / LBS	3.417
Overall Width	1.929 Inch 49 Millimeter
Housing Width	1.575 Inch 40 Millimeter
Bore	2.756 Inch 70 Millimeter
Outside Diameter	4.134 Inch 105 Millimeter
Lubricant	Maintenance free – dry lubrication
Design (sliding contact surface combination)	Steel/PTFE fabric
Sealing solution	Triple-lip seals
	6 °
d_k	92 mm
r_1 min.	1 mm
r_2 min.	1 mm
d_a min.	76.5 mm
d_a max.	77.9 mm
D_a min.	92 mm
D_a max.	99 mm
r_a max.	1 mm
r_b max.	1 mm
Basic dynamic load rating C	880 kN
Basic static load rating C_0	1460 kN
Specific dynamic load factor K	300 N/mm ²
Specific static load factor K_0	500 N/mm ²
Mass plain bearing	1.55 kg