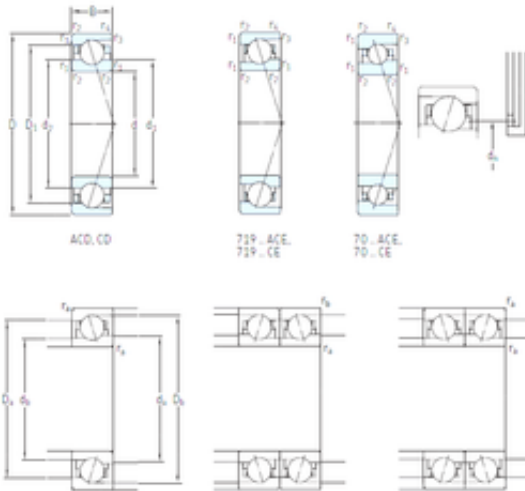




BEARING DRIVESHAFT, INC.



190 mm x 260 mm x 33 mm SKF 71938
ACD/P4A angular contact ball bearings

Bearing No. 71938 ACD/P4A

71938 ACD/P4A Bearing 2D drawings and 3D CAD models

Size	190x260x33 mm
Bore Diameter	190 mm
Outer Diameter	260 mm
Width	33 mm
d	190 mm
D	260 mm
B	33 mm
C	33 mm
d1	211,6 mm
d2	211,6 mm
r1 min.	2 mm
r2 min.	2 mm
r3 min.	1 mm
r4 min.	1 mm
D1	238,4 mm
D2	– mm
da min.	199 mm
Da max.	251 mm
db min	199 mm
ra max.	2 mm
rb max.	1 mm
dh	217,4 mm
Db max	255 mm
Weight	4,35 Kg
Basic dynamic load rating (C)	163 kN



BEARING DRIVESHAFT, INC.

Basic static load rating (C0)	208 kN
(Grease) Lubrication Speed	4 500 r/min
(Oil) Lubrication Speed	6 700 r/min
Fatigue load limit (Pu)	5,85
Category	Precision Ball Bearings
Inventory	0.0
Manufacturer Name	SKF
Minimum Buy Quantity	N/A
Weight / Kilogram	0
Product Group	B04270
Enclosure	Open
Precision Class	ABEC 7 ISO P4
Material - Ball	Steel
Number of Bearings	1 (Single)
Contact Angle	25 Degree
Preload	None
Raceway Style	1 Rib Outer Ring
Cage Material	Phenolic
Rolling Element	Ball Bearing
Flush Ground	No
Inch - Metric	Metric
Other Features	Single Row Angular Contact High Capacity Basic Design
Long Description	190MM Bore; 260MM Outside Diameter; 33MM Width; Open Enclosure; ABEC 7 ISO P4 Precision; Steel Ball Material; 1 (Single) Bearing; 25 Degree Contact Angle; Phenolic Cage Material; 1 Rib Outer Ring Ra
Category	Precision Ball Bearings
UNSPSC	31171531



BEARING DRIVESHAFT, INC.

Harmonized Tariff Code	8482.10.50.28
Noun	Bearing
Keyword String	Ball Angular Contact
Manufacturer URL	http://www.skf.com
Bore	7.48 Inch 190 Millimeter
Width	1.299 Inch 33 Millimeter
Outside Diameter	10.236 Inch 260 Millimeter
d_1	211.6 mm
d_2	211.6 mm
D_1	238.4 mm
$r_{1,2}$ min.	2 mm
$r_{3,4}$ min.	1 mm
a	69.2 mm
d_a min.	199 mm
d_b min.	199 mm
D_a max.	251 mm
D_b max.	255 mm
r_a max.	2 mm
r_b max.	1 mm
d_n	217.4 mm
Basic dynamic load rating C	163 kN
Basic static load rating C_0	208 kN
Fatigue load limit P_u	5.85 kN
Attainable speed for grease lubrication	4500 r/min
Attainable speed for oil-air lubrication	6700 r/min
Ball diameter D_w	22.225 mm
Number of balls z	28
Reference grease quantity G_{ref}	57 cm ³
Preload class A G_A	1000 N
Static axial stiffness, preload	455 N/ μ m



BEARING DRIVESHAFT, INC.

class A	
Preload class B G_B	2000 N
Static axial stiffness, preload class B	599 N/ μ m
Preload class C G_C	4000 N
Static axial stiffness, preload class C	798 N/ μ m
Preload class D G_D	8000 N
Static axial stiffness, preload class D	1090 N/ μ m
Calculation factor f	1.27
Calculation factor f_1	0.98
Calculation factor f_{2A}	1
Calculation factor f_{2B}	1.04
Calculation factor f_{2C}	1.08
Calculation factor f_{2D}	1.14
Calculation factor f_{HC}	1
Calculation factor e	0.68
Calculation factor (single, tandem) Y_2	0.87
Calculation factor (single, tandem) Y_0	0.38
Calculation factor (single, tandem) X_2	0.41
Calculation factor (back-to-back, face-to-face) Y_1	0.92
Calculation factor (back-to-back, face-to-face) Y_2	1.41
Calculation factor (back-to-back, face-to-face) Y_0	0.76
Calculation factor (back-to-back, face-to-face) X_2	0.67
Mass bearing	4.35 kg