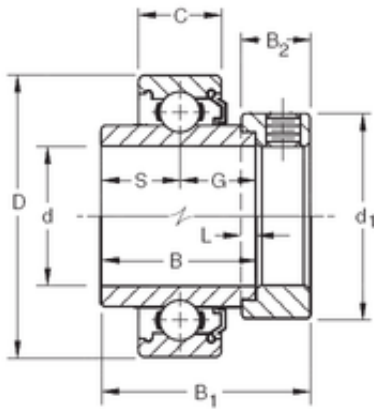




BEARING DRIVESHAFT, INC.

42,8625 mm x 100 mm x 42,86 mm Timken
N111KLL deep groove ball bearings



Bearing No. N111KLL

Size	42.8625x100x42.86 mm
Bore Diameter	42,8625 mm
Outer Diameter	100 mm
Width	42,86 mm
d	42,8625 mm
D	100 mm
B	42,86 mm
C	25 mm
d1	69,85 mm
B1	58,74 mm
B2	20,64 mm
G	23,02 mm
L	4,8 mm
S	19,84 mm
Weight	1,457 Kg
Basic dynamic load rating (C)	58,5 kN

N111KLL Bearing 2D drawings and 3D CAD models