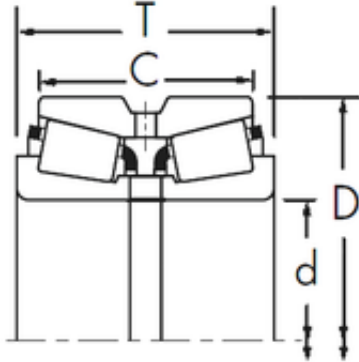




# BEARING DRIVESHAFT, INC.

Timken EE435102/435165DC tapered roller bearings



Bearing No. EE435102/435165DC

Size	260.35x419.1x184.15 mm
Bore Diameter	260,35 mm
Outer Diameter	419,1 mm
Width	184,15 mm
d	260,35 mm
D	419,1 mm
T	184,15 mm
C	136,525 mm
R	6,4 mm
r	1,5 mm

EE435102/435165DC Bearing 2D drawings and 3D CAD models