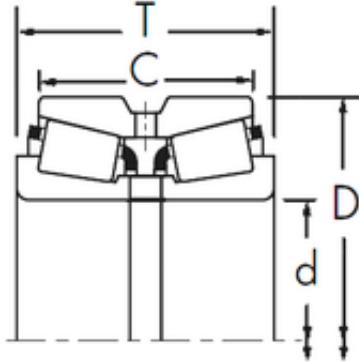




BEARING DRIVESHAFT, INC.

Timken 560-S/552D+X1S-560-S tapered roller bearings



Bearing No. 560-S/552D+X1S-560-S

Size	68.262x123.825x79.375 mm
Bore Diameter	68,262 mm
Outer Diameter	123,825 mm
Width	79,375 mm
d	68,262 mm
D	123,825 mm
T	79,375 mm
C	63,5 mm
R	3,5 mm
r	1,5 mm

560-S/552D+X1S-560-S Bearing 2D drawings and 3D CAD models