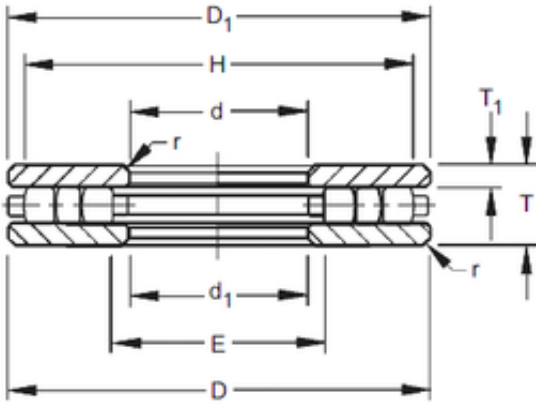




BEARING DRIVESHAFT, INC.

Timken 50TP122 thrust roller bearings

Bearing No. 50TP122



Size	127x279.4x50.8 mm
Bore Diameter	127 mm
Outer Diameter	279,4 mm
Width	50,8 mm
d	127 mm
D	279,4 mm
T	50,8 mm
r max	3,2 mm
T1	14,29 mm
d1	128,59 mm
D1	277,81 mm
E	144,5 mm
H	261,9 mm

50TP122 Bearing 2D drawings and 3D CAD models