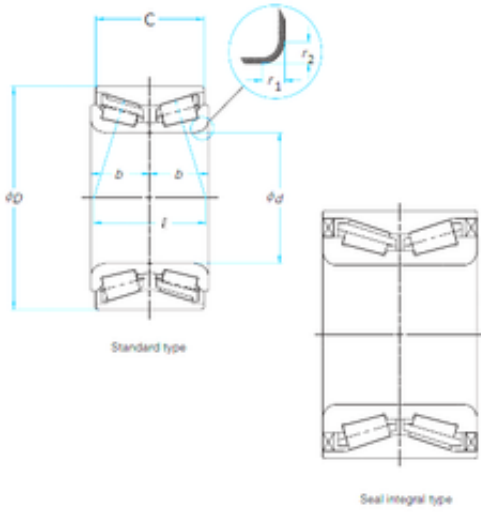




BEARING DRIVESHAFT, INC.

49 mm x 84 mm x 43 mm Timken JXC25469C tapered roller bearings



Bearing No. JXC25469C

Size	49x84x43 mm
Bore Diameter	49 mm
Outer Diameter	84 mm
Width	43 mm
d	49 mm
D	84 mm
B	43 mm

JXC25469C Bearing 2D drawings and 3D CAD models