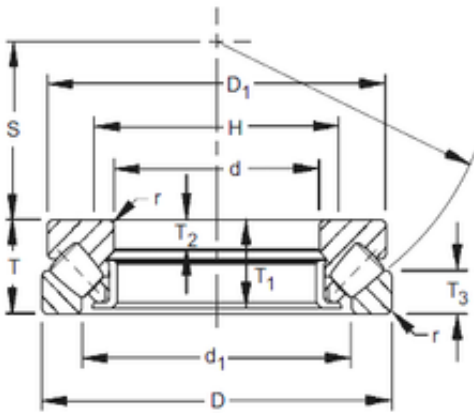




# BEARING DRIVESHAFT, INC.

## 150 mm x 300 mm x 32 mm Timken 29430 thrust roller bearings

Bearing No. 29430



29430 Bearing 2D drawings and 3D CAD models

Size	150x300x90 mm
Bore Diameter	150 mm
Outer Diameter	300 mm
Width	90 mm
d	150 mm
D	300 mm
T	90 mm
B	32 mm
C	44 mm
r max	3 mm
T1	86 mm
d1	213 mm
D1	285 mm
H	220 mm
S	92 mm