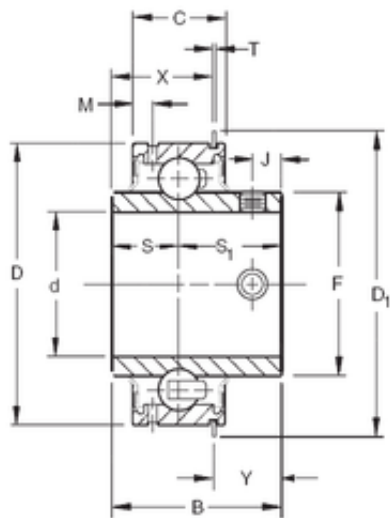




## BEARING DRIVESHAFT, INC.



38,1 mm x 80 mm x 49,21 mm Timken ER24  
deep groove ball bearings

Bearing No. ER24

Size	38.1x80x49.21 mm
Bore Diameter	38,1 mm
Outer Diameter	80 mm
Width	49,21 mm
d	38,1 mm
D	80 mm
B	49,21 mm
C	27,78 mm
Y	21,16 mm
S1	30,16 mm
X	28,07 mm
D1	86,5 mm
F	52,38 mm
J	7,94 mm
M	6,35 mm
S	19,05 mm
T	1,6 mm
Thread (G)	M8X1,25

ER24 Bearing 2D drawings and 3D CAD models